

RECESSED.75

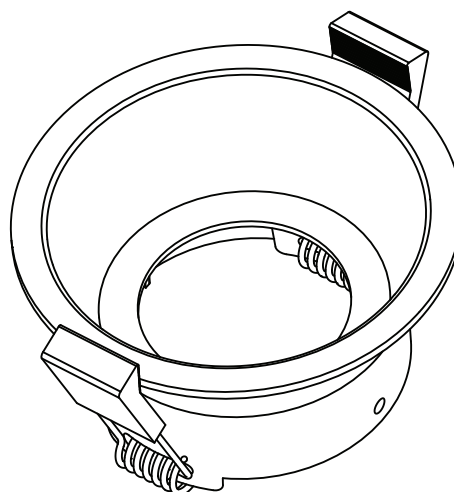
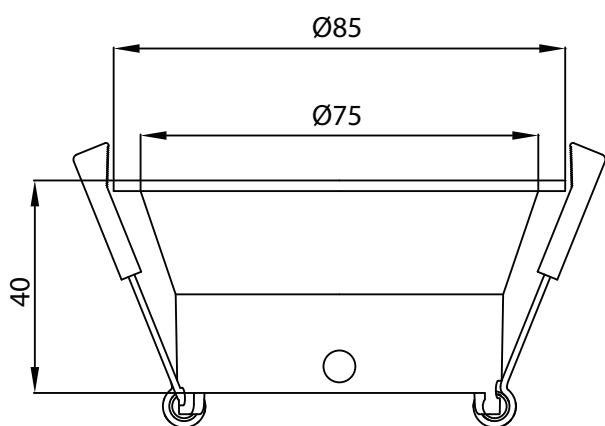
Data Sheet



| | Specifications | Code |
|----------------------|--|-----------|
| Product | KAST architectural facias | |
| Design | Curved | TC-FR |
| Material | Aluminum | |
| Cut out | 75 mm | -75 |
| Colour | White / Black | -01 / -02 |
| Compatibility | TC Retro downlight modules | |
| Features | Non-Gimbal (sealed) Anti glare design (low UGR) Easy clip system | |

Dimensions

Example Code TC-FR-75-01



RECESSED.90

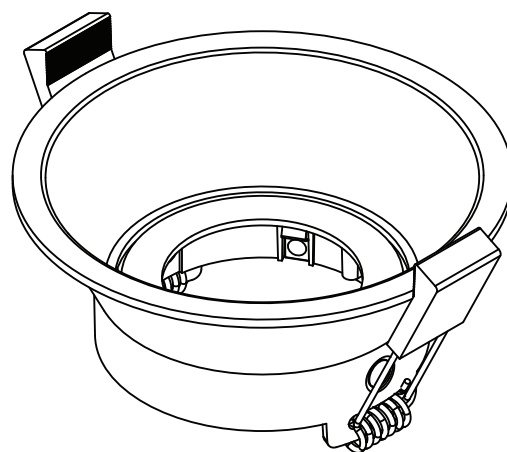
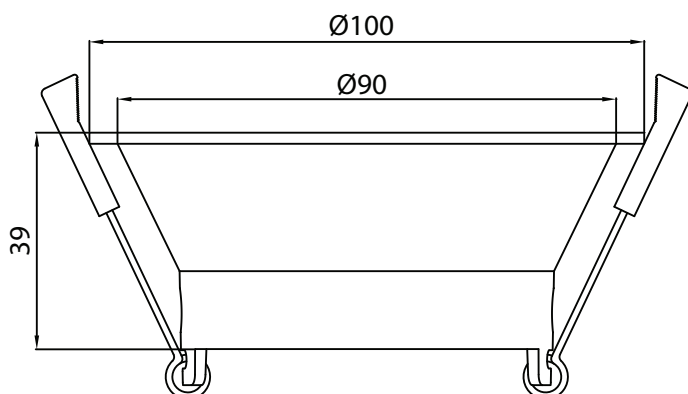
Data Sheet



| | Specifications | Code |
|----------------------|--|-----------|
| Product | KAST architectural facias | |
| Design | Curved | TC-FR |
| Material | Aluminum | |
| Cut out | 90 mm | -90 |
| Colour | White / Black | -01 / -02 |
| Compatibility | TC Retro downlight modules | |
| Features | Gimbal up to 30 degrees Anti glare design (low UGR) Easy clip system | |

Dimensions

Example Code TC-FR-90-01



CURVED.70

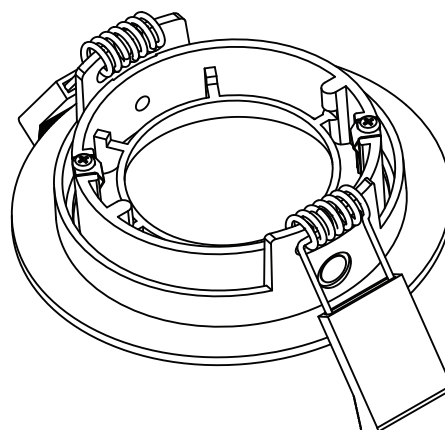
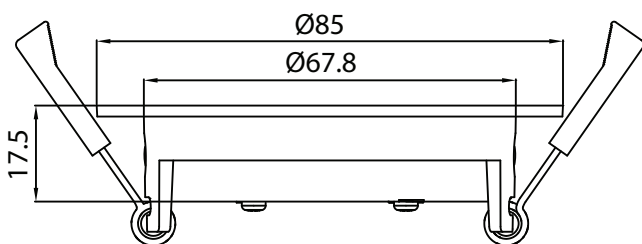
Data Sheet



| | Specifications | Code |
|----------------------|--|-----------|
| Product | KAST architectural facias | |
| Design | Curved | TC-FC |
| Material | Aluminum | |
| Cut out | 70 - 75 mm | -70 |
| Colour | White / Black | -01 / -02 |
| Compatibility | TC Retro downlight modules | |
| Features | Gimbal up to 30 degrees Anti glare design (low UGR) Easy clip system | |

Dimensions

Example Code TC-FC-70-01



CURVED.90

Data Sheet



| | Specifications | Code |
|----------------------|--|-----------|
| Product | KAST architectural facias | |
| Design | Curved | TC-FC |
| Material | Aluminum | |
| Cut out | 90 mm | -90 |
| Colour | White / Black | -01 / -02 |
| Compatibility | TC Retro downlight modules | |
| Features | Gimbal up to 30 degrees Anti glare design (low UGR) Easy clip system | |

Dimensions

Example Code TC-FC-90-01

